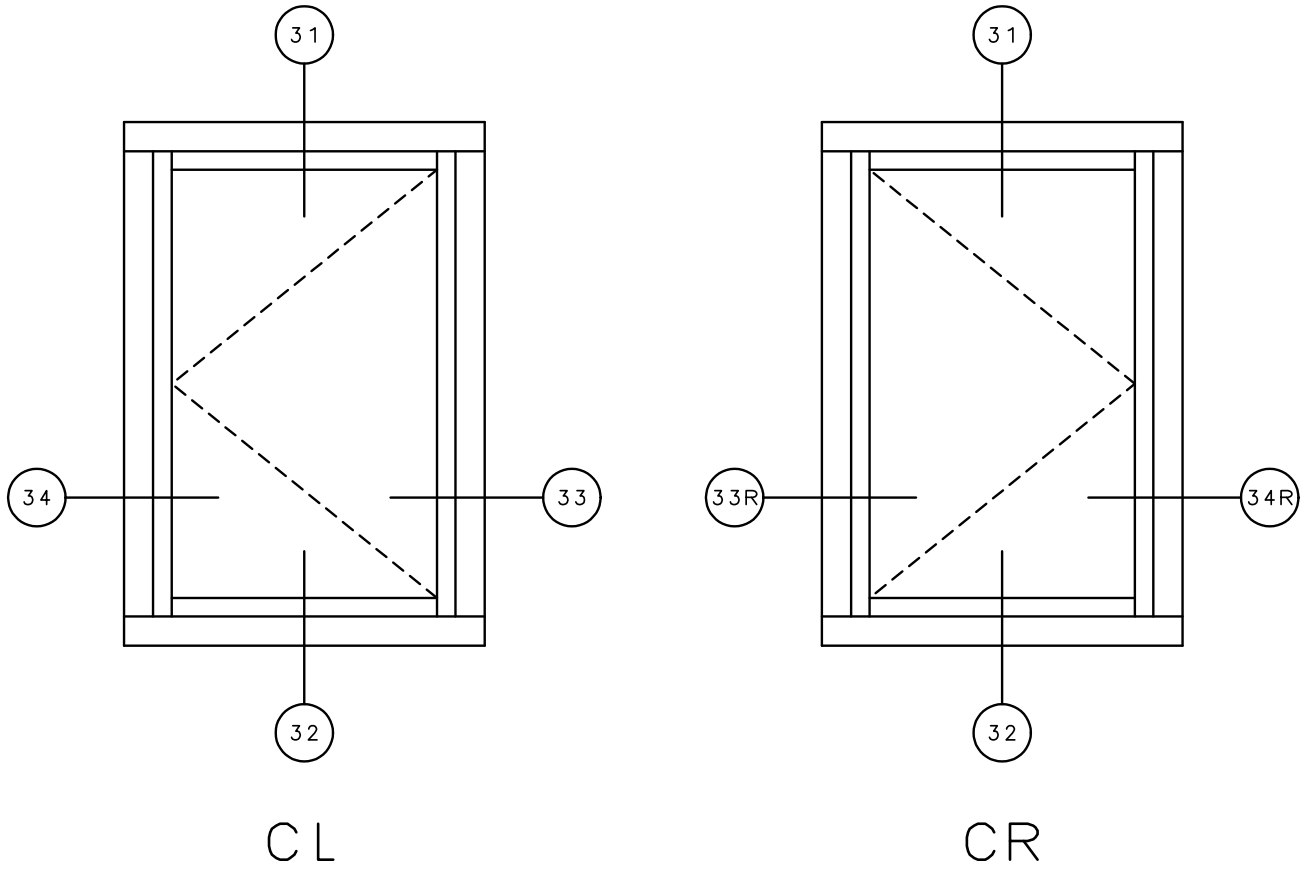


Ambassador

8200 SERIES

Casement



General Notes:

Not to Scale

Due to continual product development, detail and technical data are subject to change without notice

For latest product specifications please go to our website: www.intlwindow.com or contact your IWC Representative

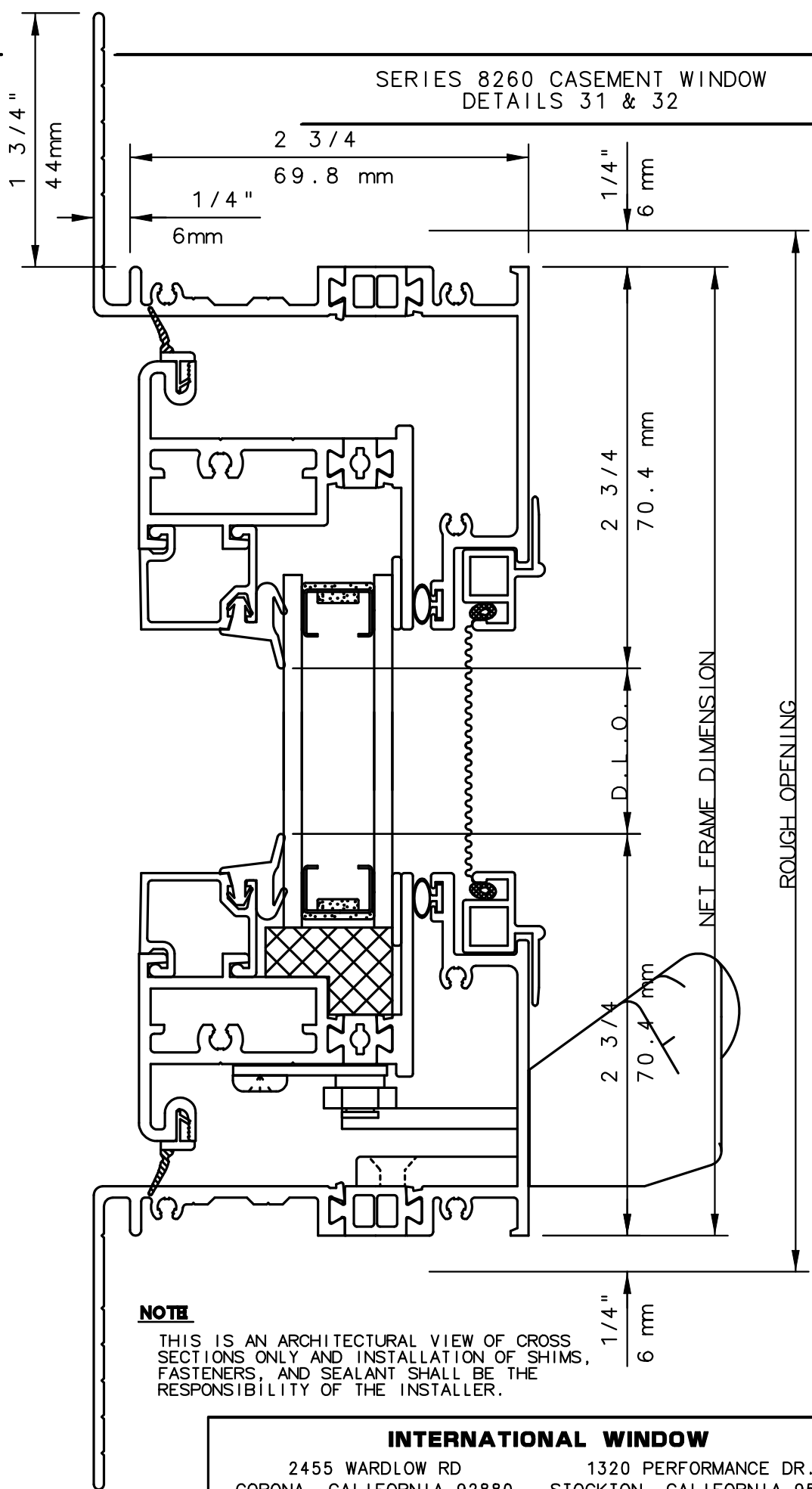
This is an architectural view of cross sections only and installation of shims, fasteners and sealant shall be the responsibility of the installer



IWC - SOUTHERN CA | IWC - NORTHERN CA
KELTIC 7800 | WWW.INTLWINDOW.COM

Rev. 0712 Form: 8200c___CL.pdf
IWC Architectural Design Detail

SERIES 8260 CASEMENT WINDOW
DETAILS 31 & 32



NOTE

THIS IS AN ARCHITECTURAL VIEW OF CROSS SECTIONS ONLY AND INSTALLATION OF SHIMS, FASTENERS, AND SEALANT SHALL BE THE RESPONSIBILITY OF THE INSTALLER.

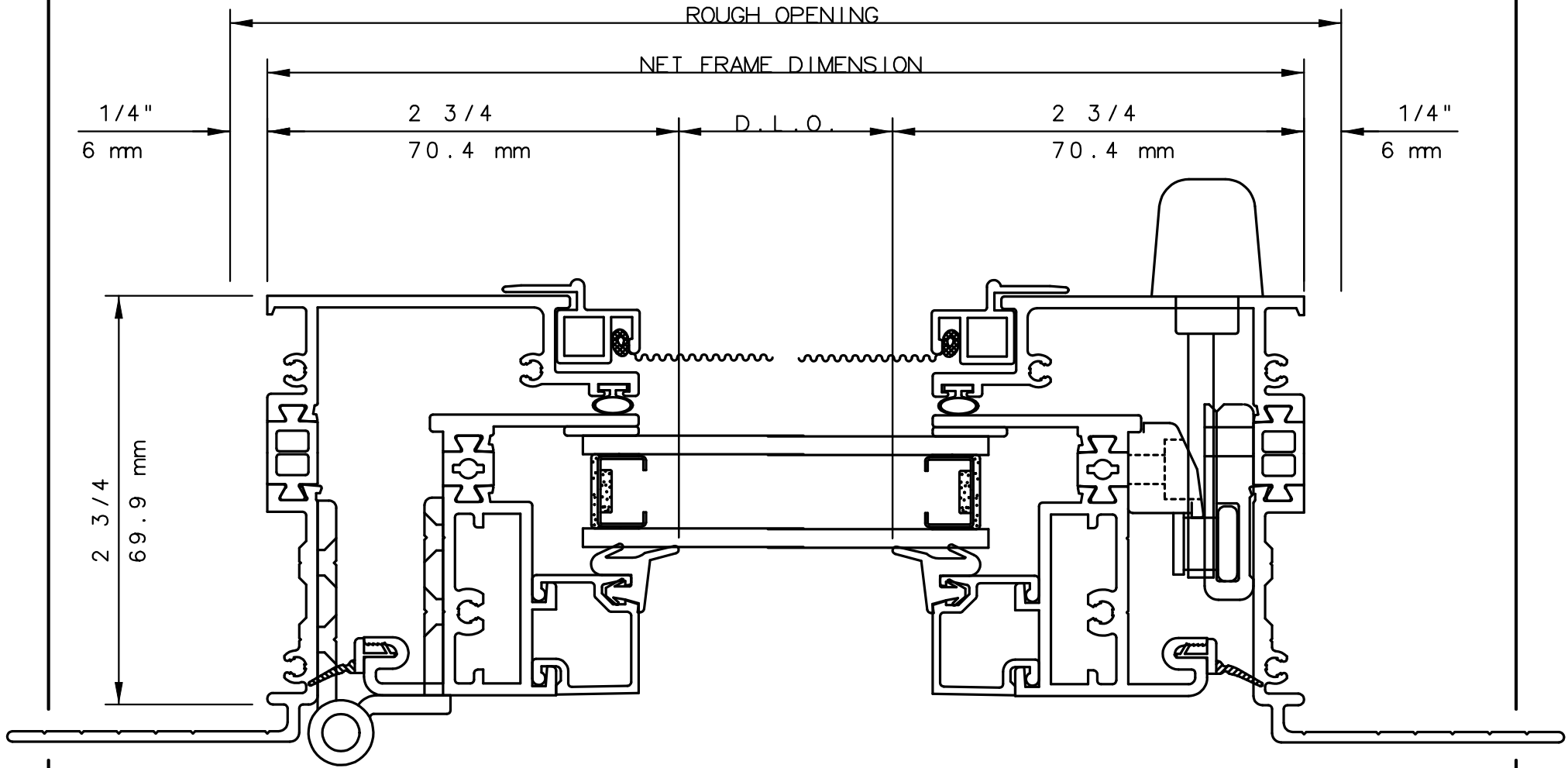
INTERNATIONAL WINDOW

2455 WARDLOW RD
CORONA, CALIFORNIA 92880
(800) 477-4032

1320 PERFORMANCE DR.
STOCKTON, CALIFORNIA 95206
(209) 323-6850

IWC

SERIES 8260 CASEMENT WINDOW DETAIL 33 & 34



NOTE

THIS IS AN ARCHITECTURAL VIEW OF CROSS SECTIONS ONLY AND INSTALLATION OF SHIMS, FASTENERS, AND SEALANT SHALL BE THE RESPONSIBILITY OF THE INSTALLER.

INTERNATIONAL WINDOW

2455 WARDLOW RD
CORONA, CALIFORNIA 92880
(800) 477-4032

1320 PERFORMANCE DR.
STOCKTON, CALIFORNIA 95206
(209) 323-6850