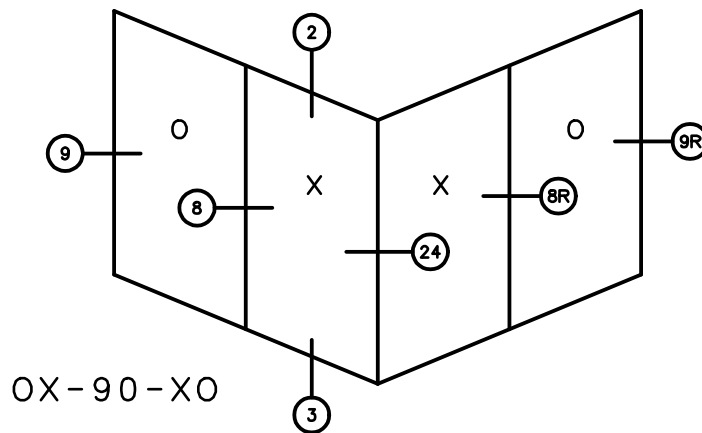


KELTIC 7800

Pocket Door System

90° SIDED FIXED MULTI SLIDE DOORS (STD FEMALE LEFT SIDE)



General Notes:

Not to Scale

Due to continual product development, detail and technical data are subject to change without notice

For latest product specifications please go to our website: www.intlwindow.com or contact your IWC Representative

This is an architectural view of cross sections only and installation of shims, fasteners and sealant shall be the responsibility of the installer

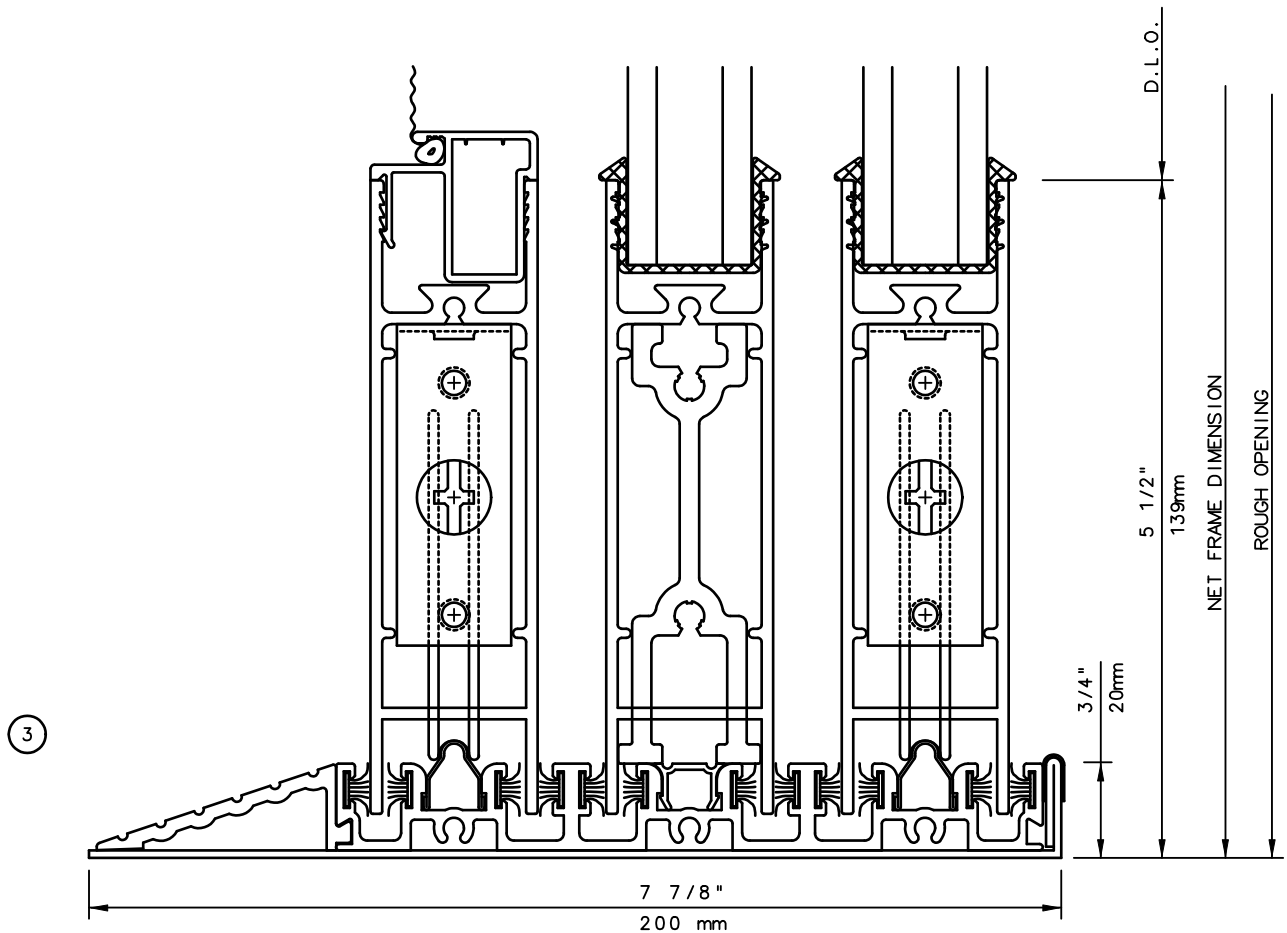


IWC - SOUTHERN CA | IWC - NORTHERN CA
KELTIC 7800 | WWW.INTLWINDOW.COM

Rev. 0612 Form: Pocket elev OX-90-XO.pdf
IWC Architectural Design Detail

KELTIC 7800

Pocket Door System



General Notes:

Not to Scale

Due to continual product development, detail and technical data are subject to change without notice

For latest product specifications please go to our website: www.intlwindow.com or contact your IWC Representative

This is an architectural view of cross sections only and installation of shims, fasteners and sealant shall be the responsibility of the installer

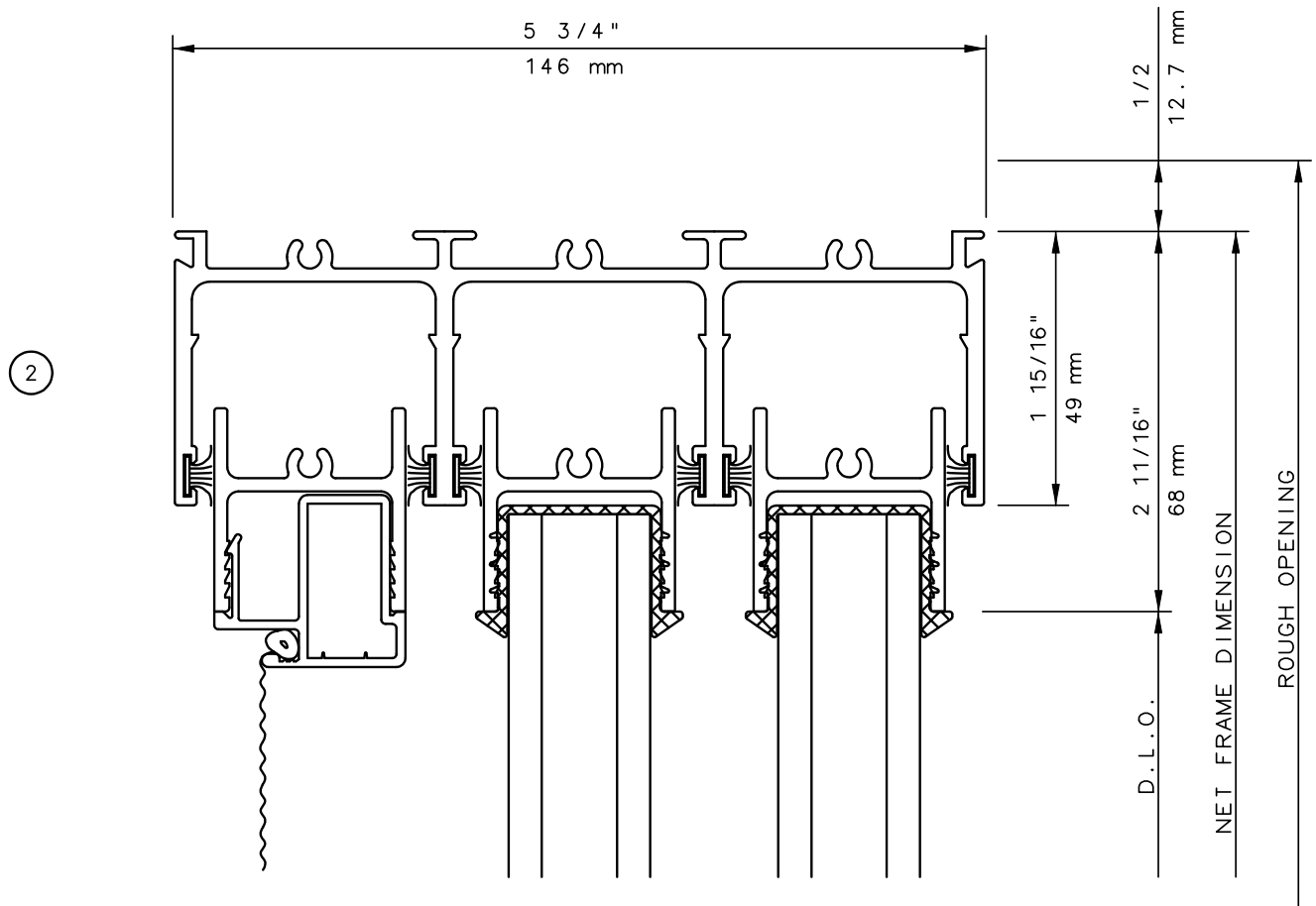


IWC - SOUTHERN CA | IWC - NORTHERN CA
KELTIC 7800 | WWW.INTLWINDOW.COM

Rev. 0512 Form: 780X_surf_sl_sl_scrn.pdf
IWC Architectural Design Detail

KELTIC 7800

Pocket Door System



General Notes:

Not to Scale

Due to continual product development, detail and technical data are subject to change without notice

For latest product specifications please go to our website: www.intlwindow.com or contact your IWC Representative

This is an architectural view of cross sections only and installation of shims, fasteners and sealant shall be the responsibility of the installer

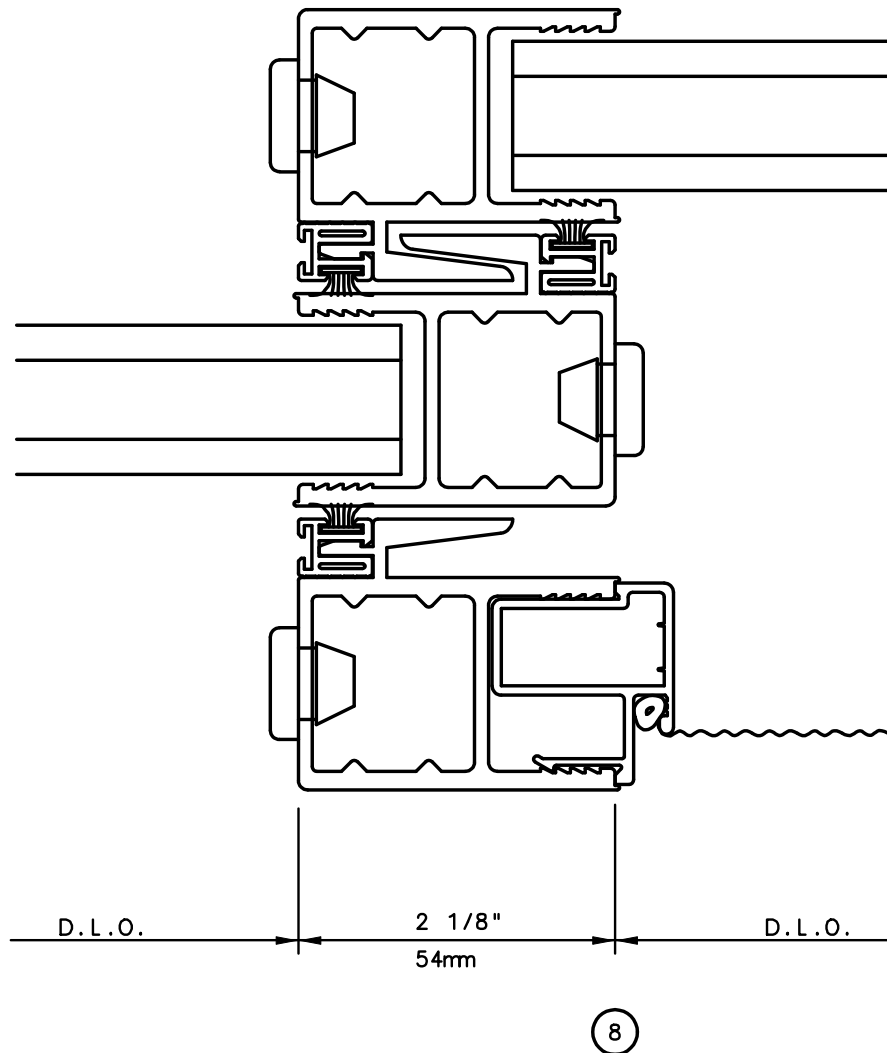


IWC - SOUTHERN CA | IWC - NORTHERN CA
 KELTIC 7800 | WWW.INTLWINDOW.COM

Rev. 0612 Form: 780X_head_scrn.pdf
 IWC Architectural Design Detail

KELTIC 7800

Pocket Door System



General Notes:

Not to Scale

Due to continual product development, detail and technical data are subject to change without notice

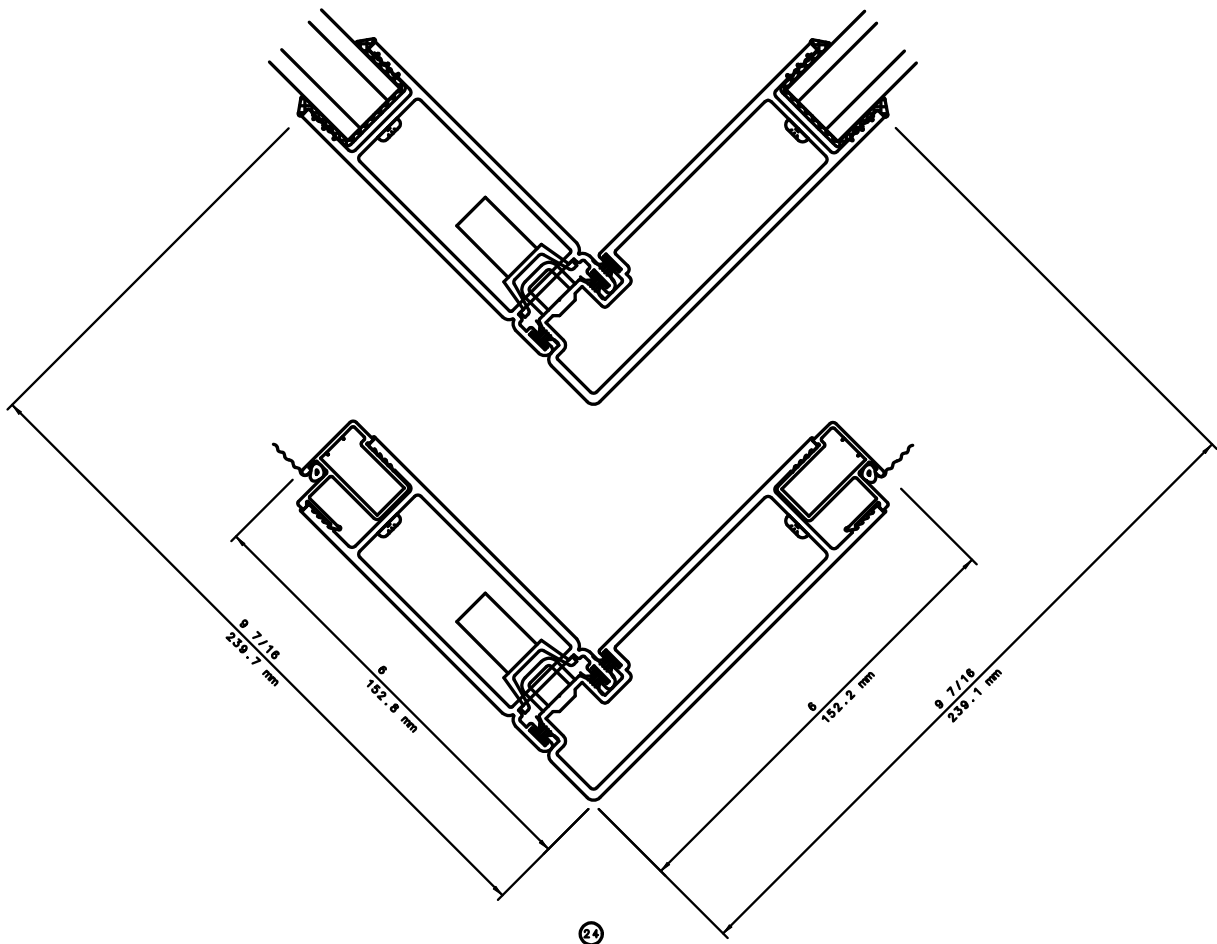
For latest product specifications please go to our website: www.intlwindow.com or contact your IWC Representative

This is an architectural view of cross sections only and installation of shims, fasteners and sealant shall be the responsibility of the installer



KELTIC 7800

Pocket Door System



General Notes:

Not to Scale

Due to continual product development, detail and technical data are subject to change without notice

For latest product specifications please go to our website: www.intlwindow.com or contact your IWC Representative

This is an architectural view of cross sections only and installation of shims, fasteners and sealant shall be the responsibility of the installer

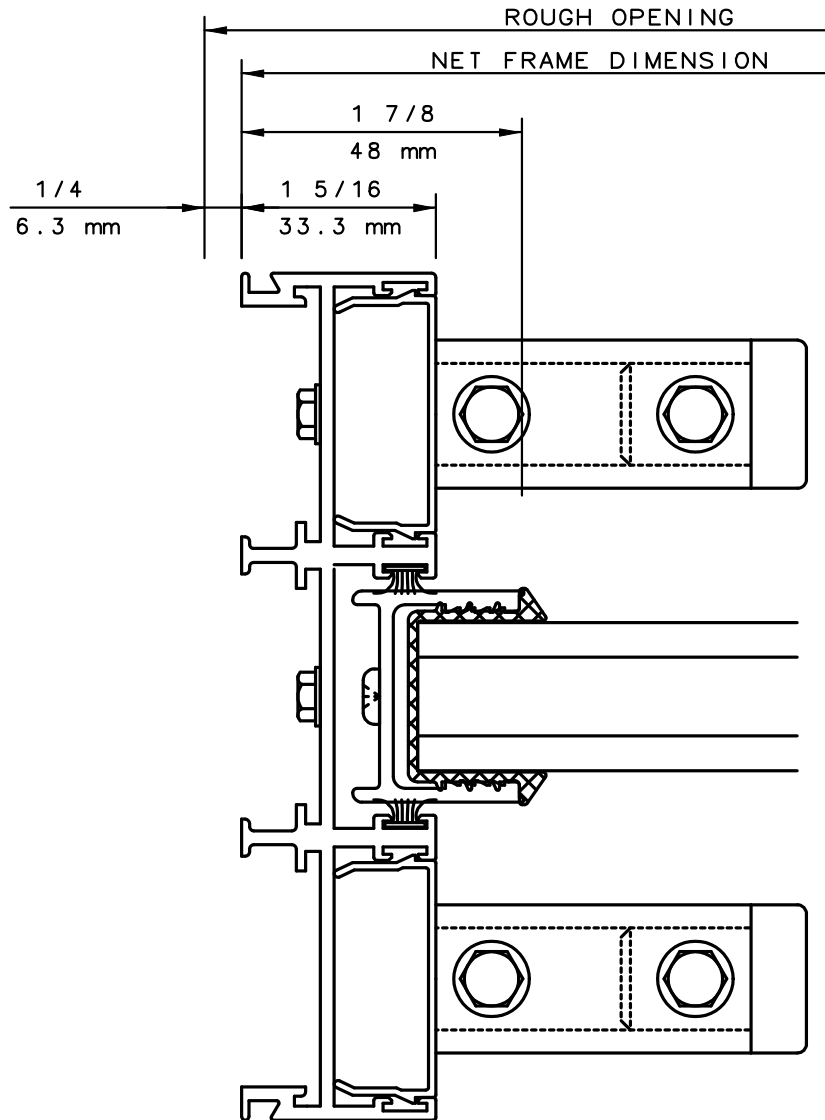


IWC - SOUTHERN CA | IWC - NORTHERN CA
KELTIC 7800 | WWW.INTLWINDOW.COM

Rev. 0612 Form: 780X90X0_mtg_stl_sc.pdf
IWC Architectural Design Detail

KELTIC 7800

Pocket Door System



9

General Notes:

Not to Scale

Due to continual product development, detail and technical data are subject to change without notice

For latest product specifications please go to our website: www.intlwindow.com or contact your IWC Representative

This is an architectural view of cross sections only and installation of shims, fasteners and sealant shall be the responsibility of the installer



IWC - SOUTHERN CA | IWC - NORTHERN CA
KELTIC 7800 | WWW.INTLWINDOW.COM

Rev. 0612 Form: 780X_fxd_jamb_scrn.pdf
IWC Architectural Design Detail