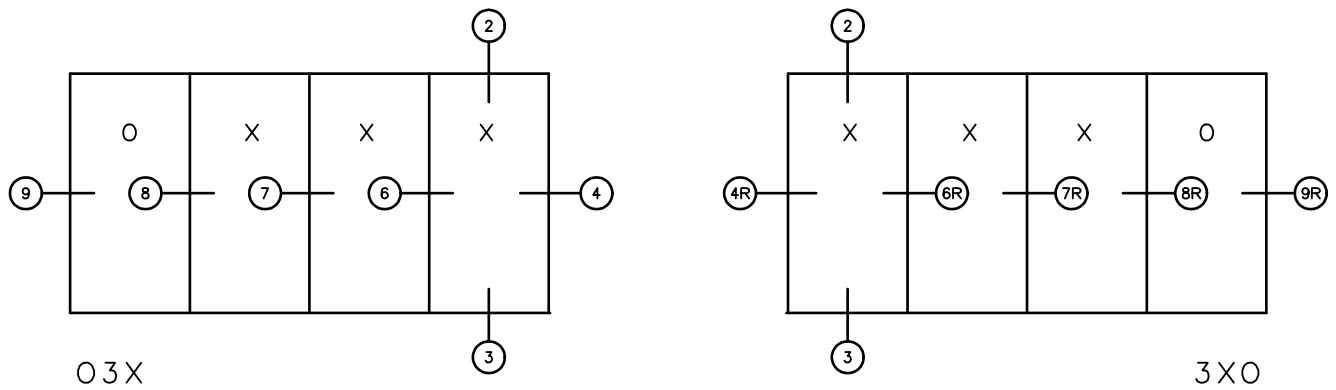


# KELTIC 7800

## Pocket Door System

---

### SINGLE FIXED MULTI SLIDE DOORS



#### General Notes:

Not to Scale

Due to continual product development, detail and technical data are subject to change without notice

For latest product specifications please go to our website: [www.intlwindow.com](http://www.intlwindow.com) or contact your IWC Representative

This is an architectural view of cross sections only and installation of shims, fasteners and sealant shall be the responsibility of the installer

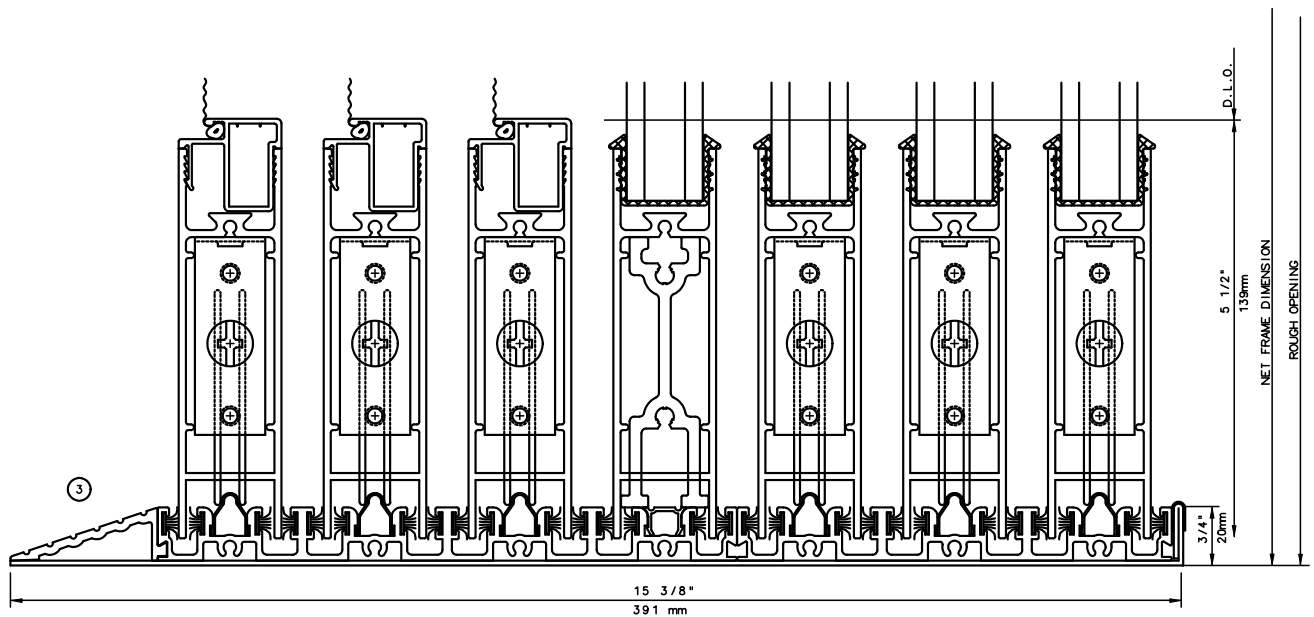


IWC - SOUTHERN CA | IWC - NORTHERN CA  
KELTIC 7800 | [WWW.INTLWINDOW.COM](http://WWW.INTLWINDOW.COM)

Rev. 0612 Form: Multi elev 03X.pdf  
IWC Architectural Design Detail

# KELTIC 7800

## Pocket Door System



**General Notes:**

Not to Scale

Due to continual product development, detail and technical data are subject to change without notice

For latest product specifications please go to our website: [www.intlwindow.com](http://www.intlwindow.com) or contact your IWC Representative

This is an architectural view of cross sections only and installation of shims, fasteners and sealant shall be the responsibility of the installer

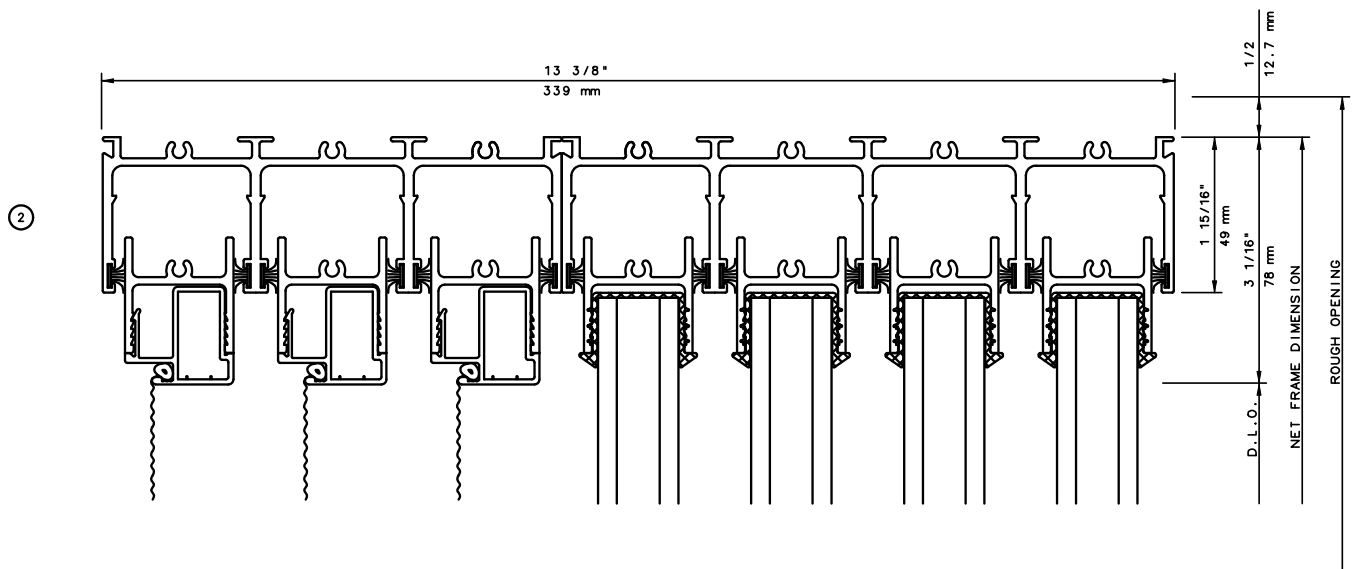


IWC - SOUTHERN CA | IWC - NORTHERN CA  
 KELTIC 7800 | [WWW.INTLWINDOW.COM](http://WWW.INTLWINDOW.COM)

Rev. 0612 Form:7803X\_surf\_sl\_sl\_sc.pdf  
 IWC Architectural Design Detail

# KELTIC 7800

## Pocket Door System



**General Notes:**

Not to Scale

Due to continual product development, detail and technical data are subject to change without notice

For latest product specifications please go to our website: [www.intlwindow.com](http://www.intlwindow.com) or contact your IWC Representative

This is an architectural view of cross sections only and installation of shims, fasteners and sealant shall be the responsibility of the installer

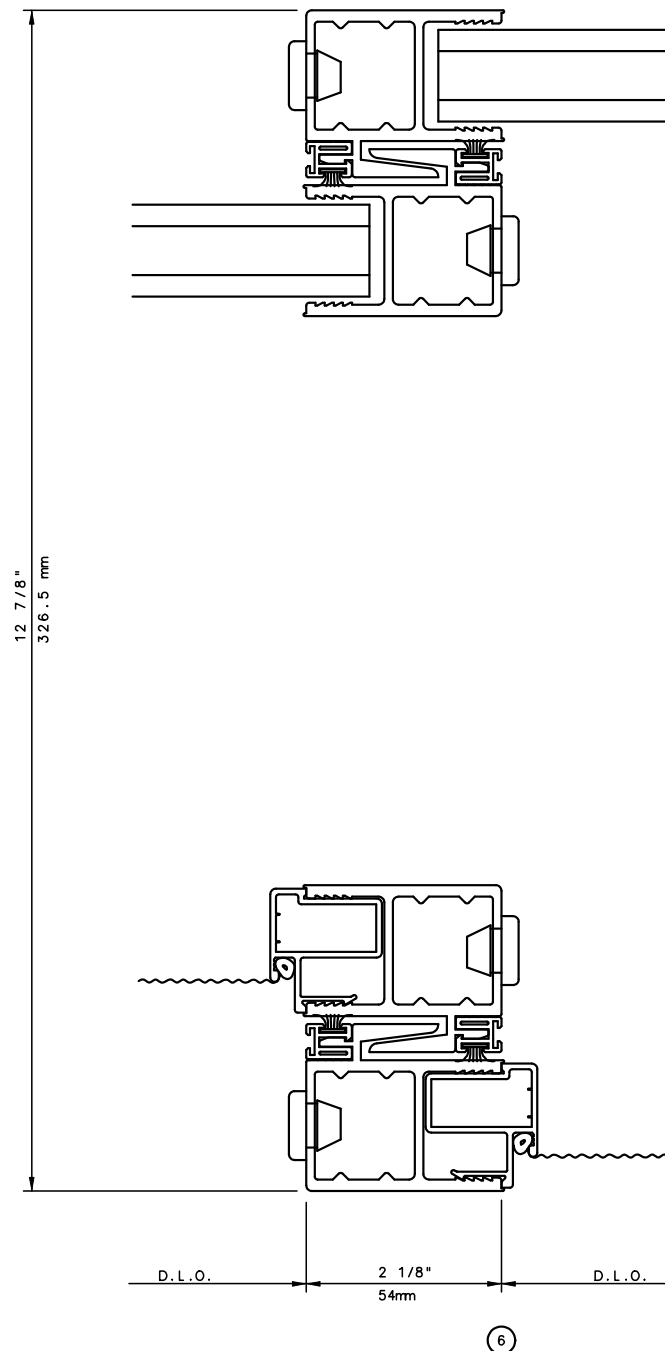


IWC - SOUTHERN CA | IWC - NORTHERN CA  
 KELTIC 7800 | [WWW.INTLWINDOW.COM](http://WWW.INTLWINDOW.COM)

Rev. 0612 Form:7803X\_head\_scrn.pdf  
 IWC Architectural Design Detail

# KELTIC 7800

## Pocket Door System



**General Notes:**

Not to Scale

Due to continual product development, detail and technical data are subject to change without notice

For latest product specifications please go to our website: [www.intlwindow.com](http://www.intlwindow.com) or contact your IWC Representative

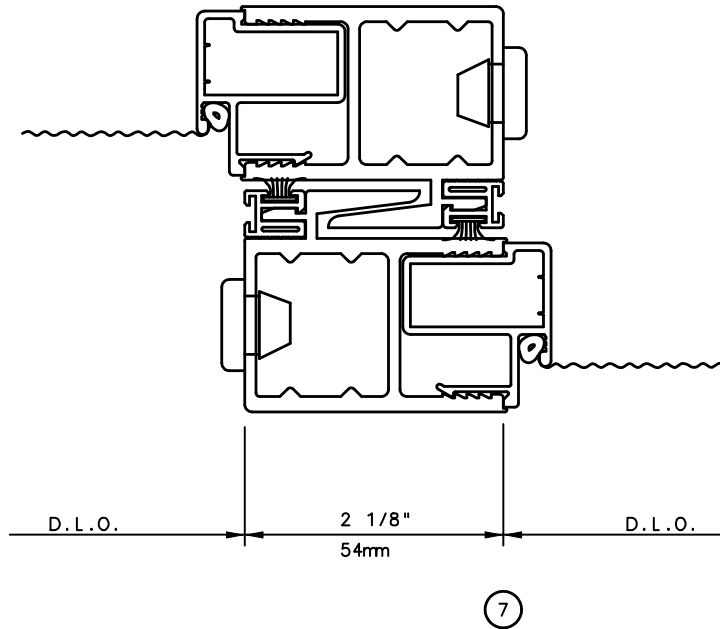
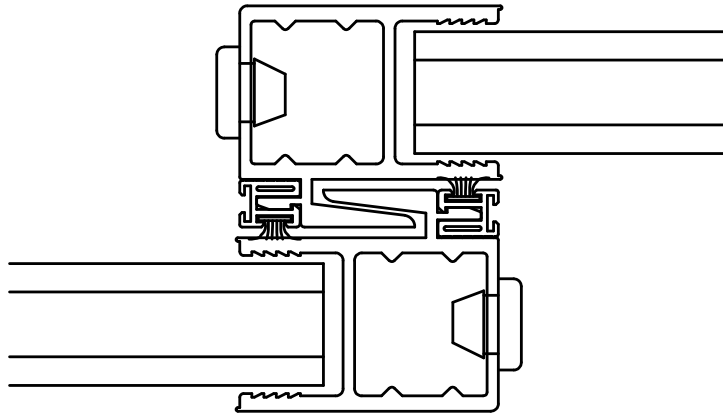
This is an architectural view of cross sections only and installation of shims, fasteners and sealant shall be the responsibility of the installer



# KELTIC 7800

## Pocket Door System

---



### General Notes:

Not to Scale

Due to continual product development, detail and technical data are subject to change without notice

For latest product specifications please go to our website: [www.intlwindow.com](http://www.intlwindow.com) or contact your IWC Representative

This is an architectural view of cross sections only and installation of shims, fasteners and sealant shall be the responsibility of the installer



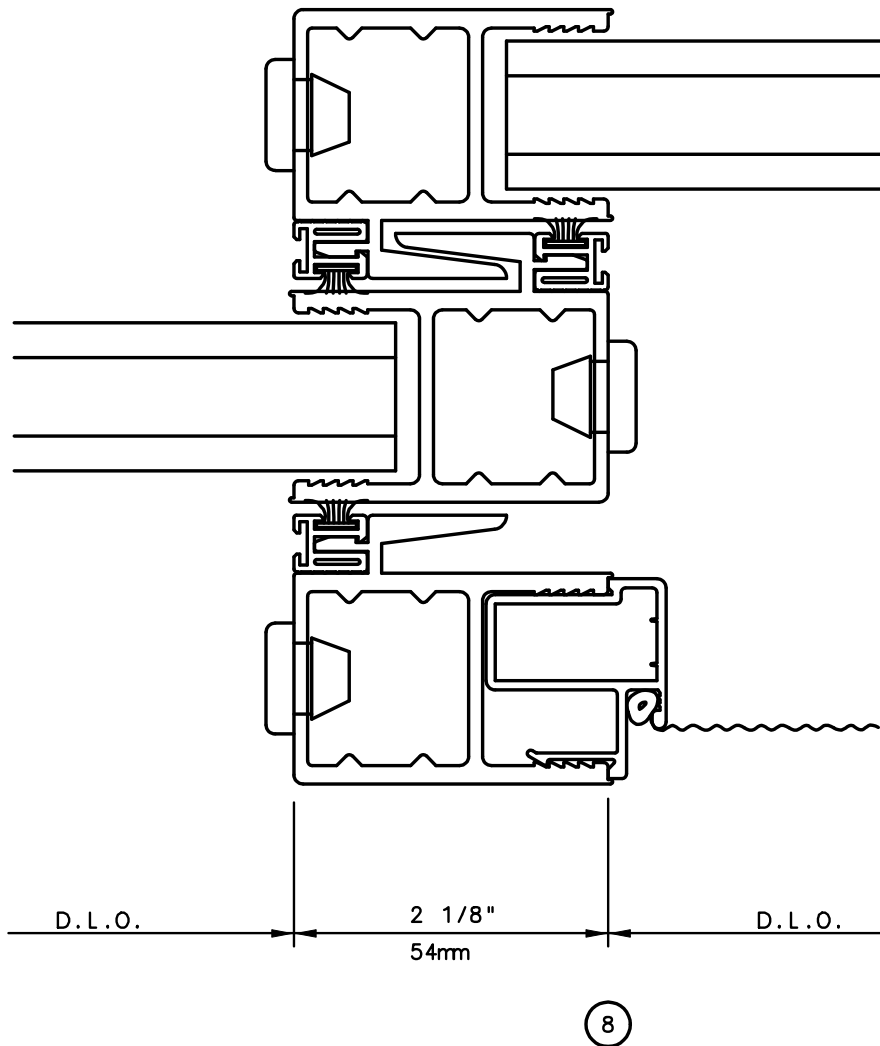
IWC - SOUTHERN CA | IWC - NORTHERN CA  
KELTIC 7800 | [WWW.INTLWINDOW.COM](http://WWW.INTLWINDOW.COM)

Rev. 0612 Form: 7803X\_intrlk\_7\_scrn.pdf  
IWC Architectural Design Detail

# KELTIC 7800

## Pocket Door System

---



**General Notes:**

Not to Scale

Due to continual product development, detail and technical data are subject to change without notice

For latest product specifications please go to our website: [www.intlwindow.com](http://www.intlwindow.com) or contact your IWC Representative

This is an architectural view of cross sections only and installation of shims, fasteners and sealant shall be the responsibility of the installer

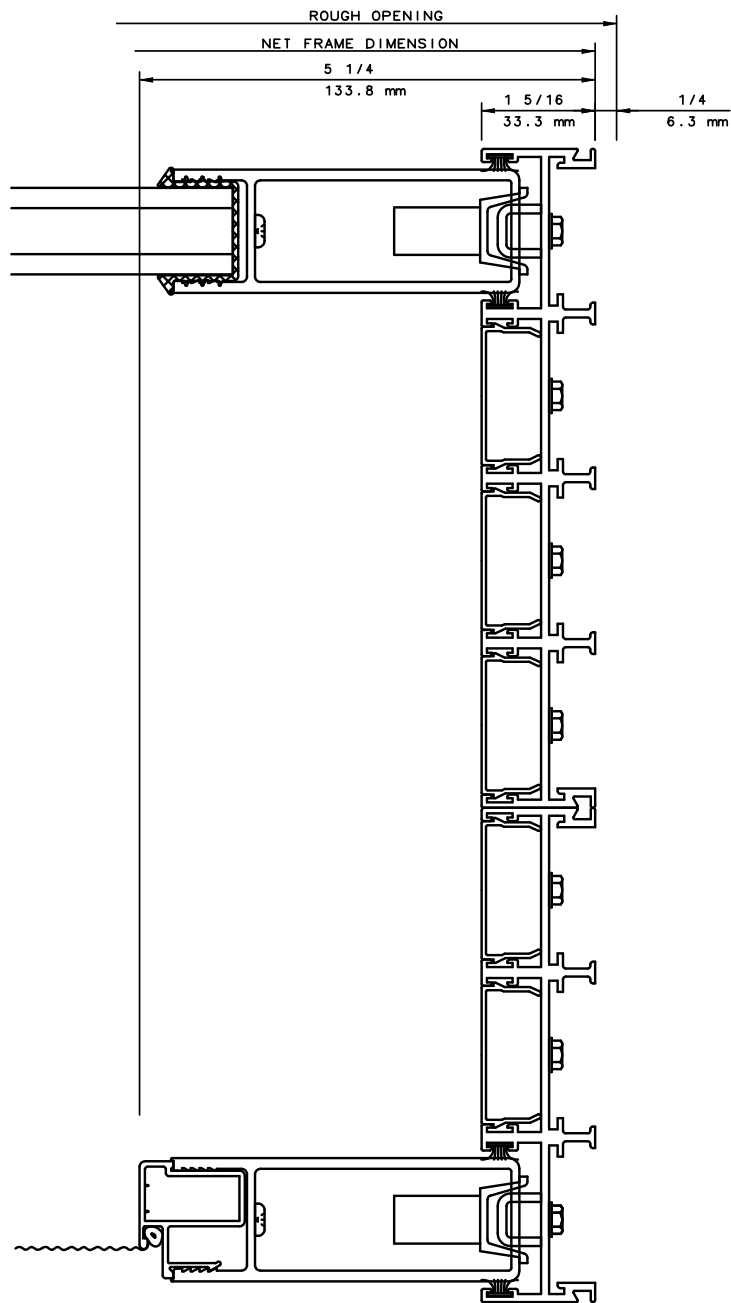


IWC - SOUTHERN CA | IWC - NORTHERN CA  
KELTIC 7800 | [WWW.INTLWINDOW.COM](http://WWW.INTLWINDOW.COM)

Rev. 0612 Form: 7803X\_intrlk\_8\_scr.pdf  
IWC Architectural Design Detail

# KELTIC 7800

## Pocket Door System



④

**General Notes:**

Not to Scale

Due to continual product development, detail and technical data are subject to change without notice

For latest product specifications please go to our website: [www.intlwindow.com](http://www.intlwindow.com) or contact your IWC Representative

This is an architectural view of cross sections only and installation of shims, fasteners and sealant shall be the responsibility of the installer

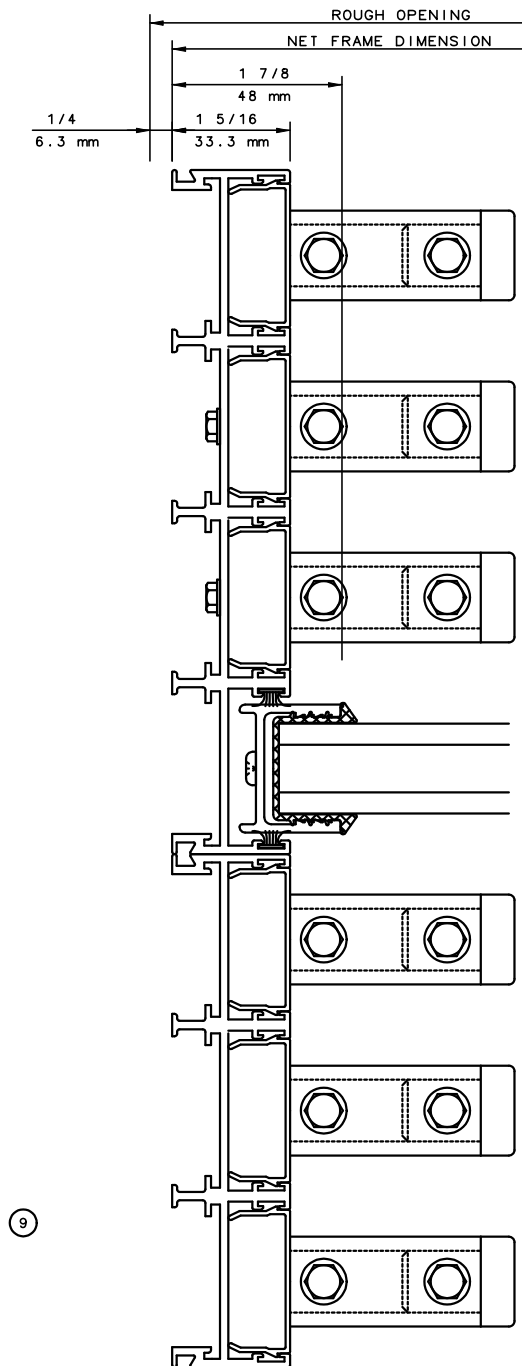


IWC - SOUTHERN CA | IWC - NORTHERN CA  
KELTIC 7800 | [WWW.INTLWINDOW.COM](http://WWW.INTLWINDOW.COM)

Rev. 0612 Form:7803X\_lock\_jamb\_scrn.pdf  
IWC Architectural Design Detail

# KELTIC 7800

## Pocket Door System



General Notes:

Not to Scale

Due to continual product development, detail and technical data are subject to change without notice

For latest product specifications please go to our website: [www.intlwindow.com](http://www.intlwindow.com) or contact your IWC Representative

This is an architectural view of cross sections only and installation of shims, fasteners and sealant shall be the responsibility of the installer



IWC - SOUTHERN CA | IWC - NORTHERN CA  
KELTIC 7800 | [WWW.INTLWINDOW.COM](http://WWW.INTLWINDOW.COM)

Rev. 0612 Form:7803X\_fxd\_jamb\_scrn.pdf  
IWC Architectural Design Detail