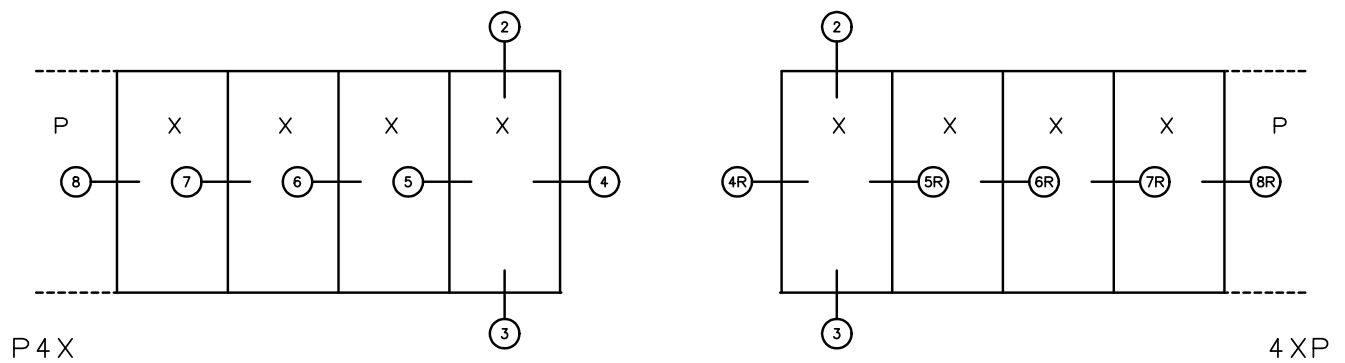


KELTIC 7800

Pocket Door System

SINGLE POCKET DOORS



General Notes:

Not to Scale

Due to continual product development, detail and technical data are subject to change without notice

For latest product specifications please go to our website: www.intlwindow.com or contact your IWC Representative

This is an architectural view of cross sections only and installation of shims, fasteners and sealant shall be the responsibility of the installer

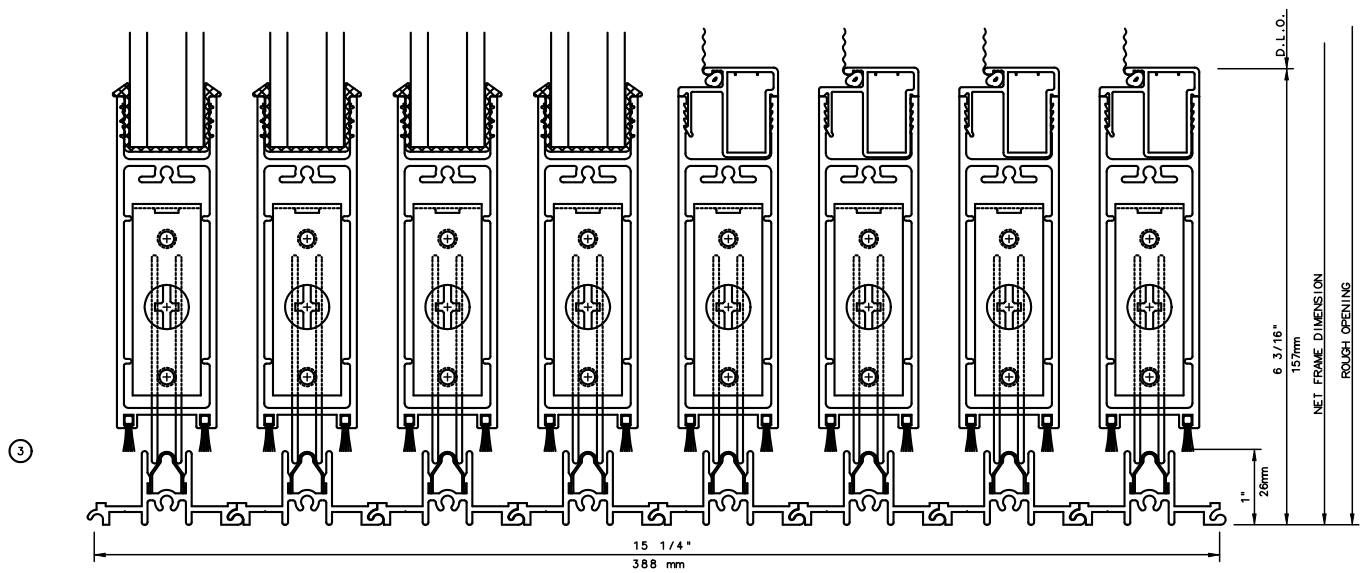


IWC - SOUTHERN CA | IWC - NORTHERN CA
 KELTIC 7800 | WWW.INTLWINDOW.COM

Rev. 0512 Form: Pocket elev P4X.pdf
 IWC Architectural Design Detail

KELTIC 7800

Pocket Door System



General Notes:

Not to Scale

Due to continual product development, detail and technical data are subject to change without notice

For latest product specifications please go to our website: www.intlwindow.com or contact your IWC Representative

This is an architectural view of cross sections only and installation of shims, fasteners and sealant shall be the responsibility of the installer

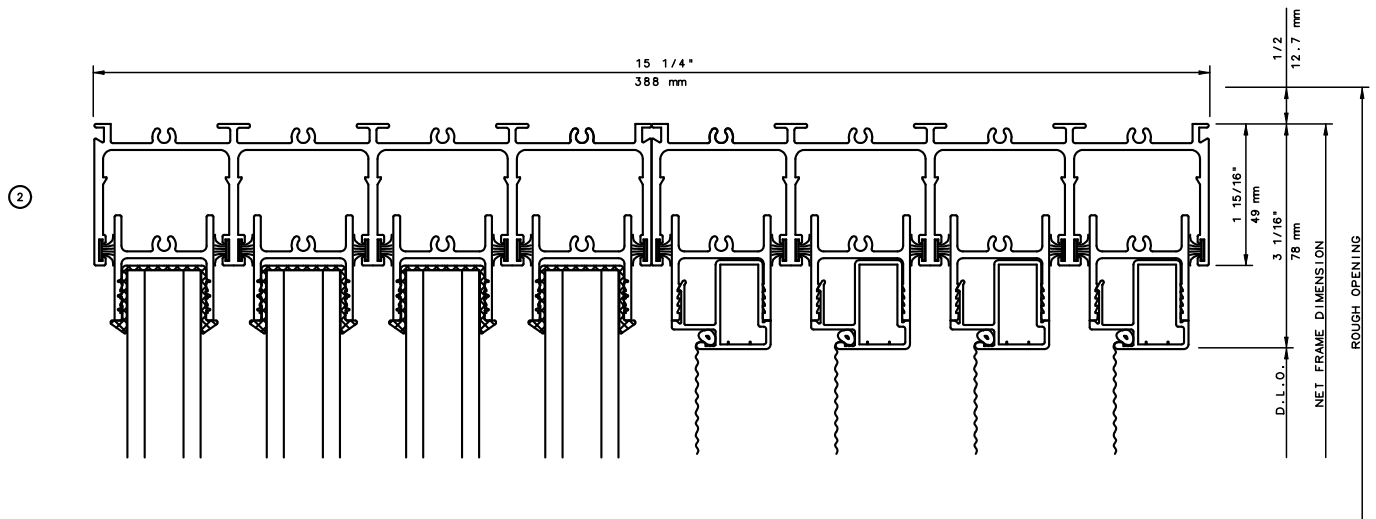


IWC - SOUTHERN CA | IWC - NORTHERN CA
 KELTIC 7800 | WWW.INTLWINDOW.COM

Rev. 0512 Form: 78P4X_1_sl_sl_sc.pdf
 IWC Architectural Design Detail

KELTIC 7800

Pocket Door System



General Notes:

Not to Scale

Due to continual product development, detail and technical data are subject to change without notice

For latest product specifications please go to our website: www.intlwindow.com or contact your IWC Representative

This is an architectural view of cross sections only and installation of shims, fasteners and sealant shall be the responsibility of the installer

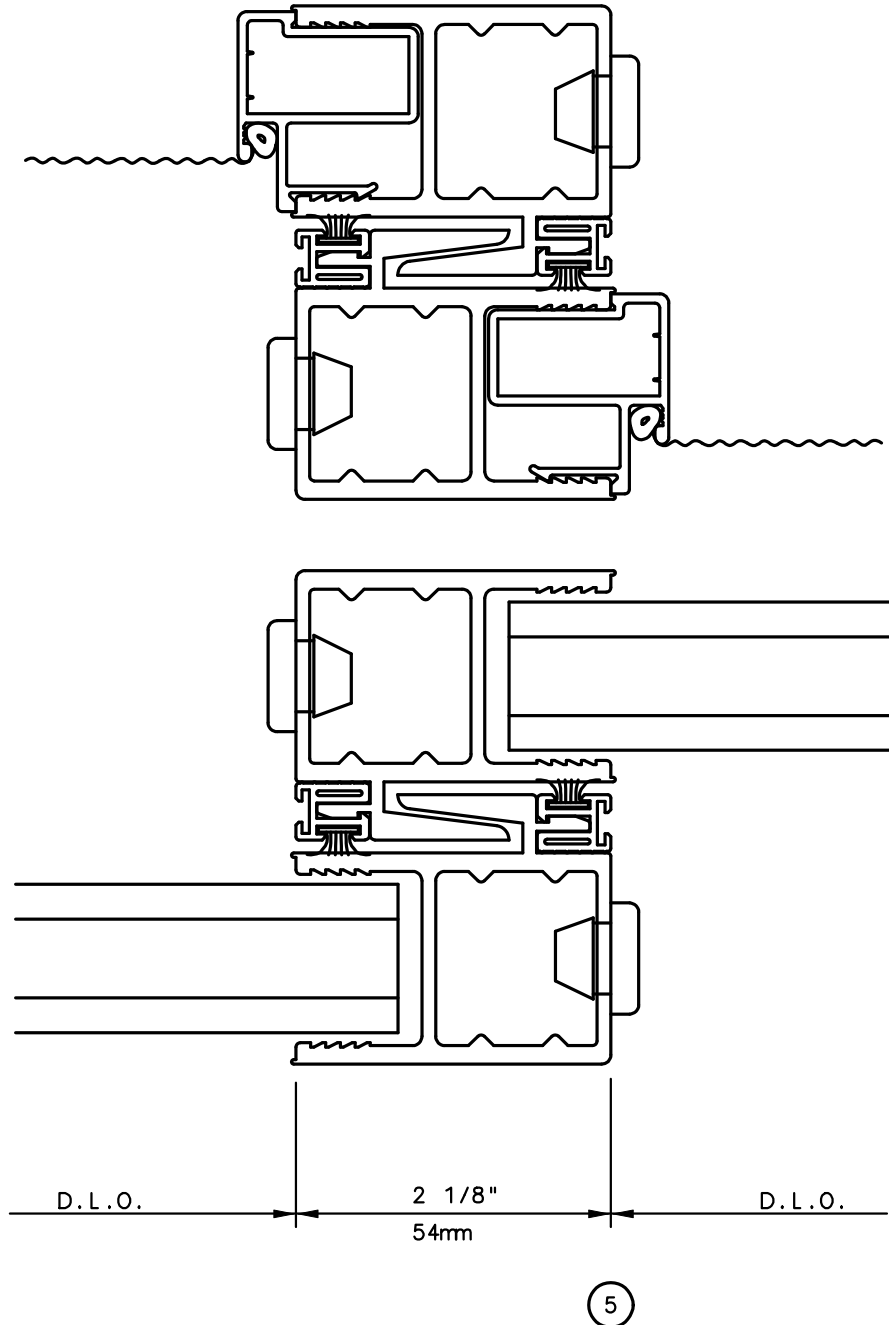


IWC - SOUTHERN CA | IWC - NORTHERN CA
KELTIC 7800 | WWW.INTLWINDOW.COM

Rev. 0512 Form: 78P4X_head_scrn.pdf
IWC Architectural Design Detail

KELTIC 7800

Pocket Door System



General Notes:

Not to Scale

Due to continual product development, detail and technical data are subject to change without notice

For latest product specifications please go to our website: www.intlwindow.com or contact your IWC Representative

This is an architectural view of cross sections only and installation of shims, fasteners and sealant shall be the responsibility of the installer

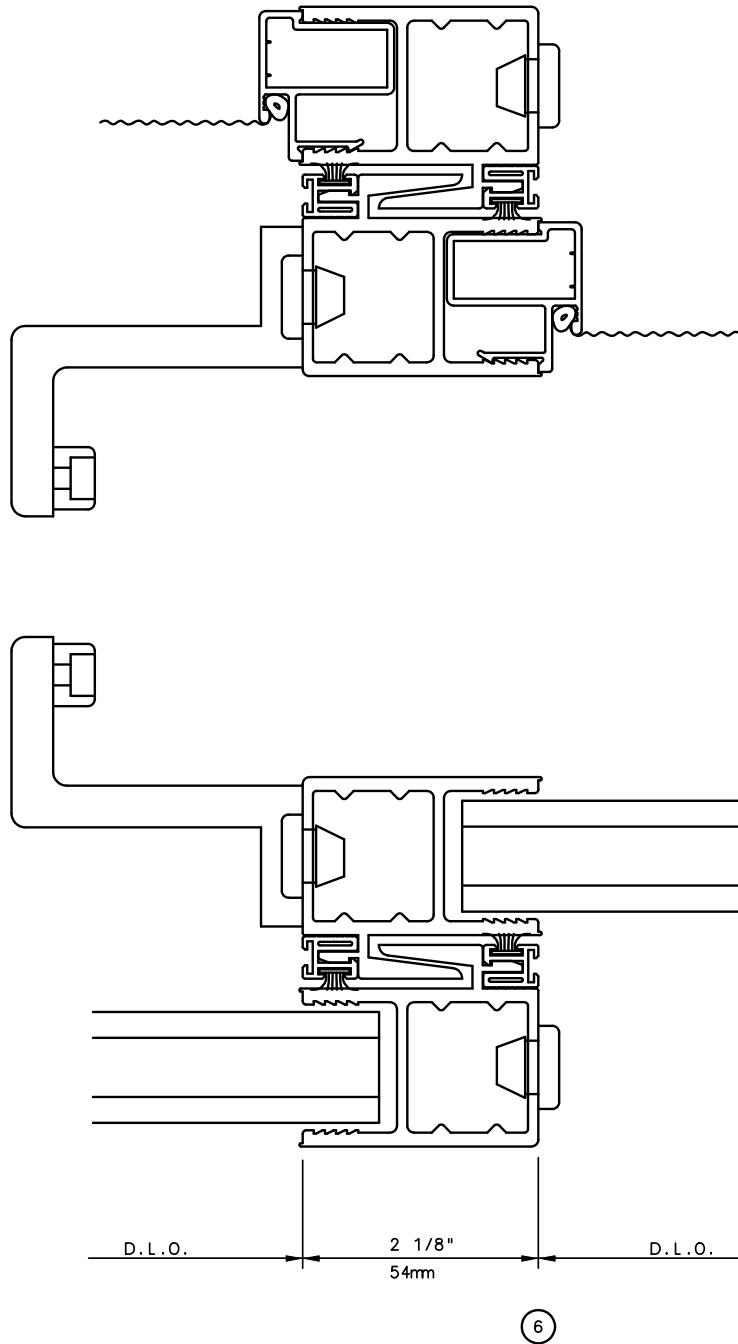


IWC - SOUTHERN CA | IWC - NORTHERN CA
KELTIC 7800 | WWW.INTLWINDOW.COM

Rev. 0512 Form: 78P4X_intrlk_scrn.pdf
IWC Architectural Design Detail

KELTIC 7800

Pocket Door System



General Notes:

Not to Scale

Due to continual product development, detail and technical data are subject to change without notice

For latest product specifications please go to our website: www.intlwindow.com or contact your IWC Representative

This is an architectural view of cross sections only and installation of shims, fasteners and sealant shall be the responsibility of the installer

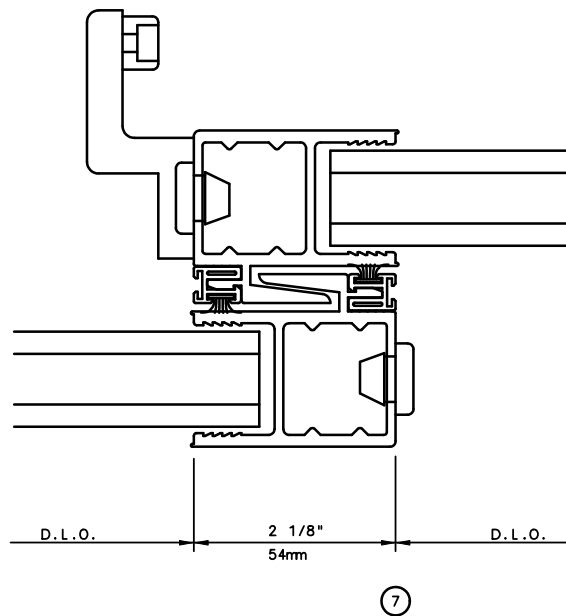
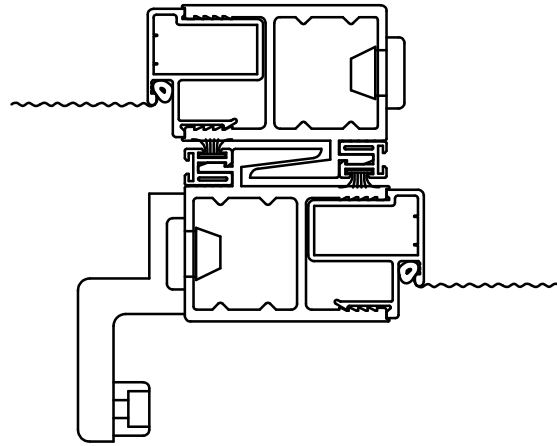


IWC - SOUTHERN CA | IWC - NORTHERN CA
KELTIC 7800 | WWW.INTLWINDOW.COM

Rev. 0512 Form: 78P4X_Id_intrlk_scrn.pdf
IWC Architectural Design Detail

KELTIC 7800

Pocket Door System



General Notes:

Not to Scale

Due to continual product development, detail and technical data are subject to change without notice

For latest product specifications please go to our website: www.intlwindow.com or contact your IWC Representative

This is an architectural view of cross sections only and installation of shims, fasteners and sealant shall be the responsibility of the installer

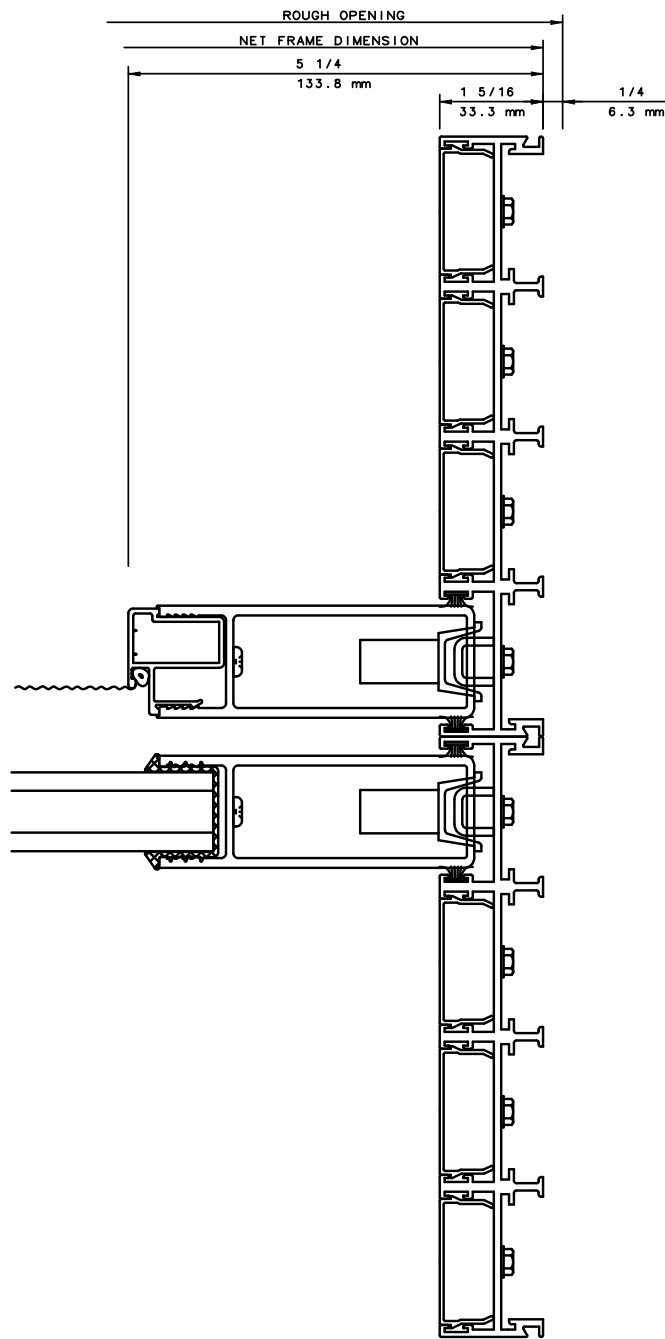


IWC - SOUTHERN CA | IWC - NORTHERN CA
KELTIC 7800 | WWW.INTLWINDOW.COM

Rev. 0512 Form: 78P4X_3rd_intrlk_scr.pdf
IWC Architectural Design Detail

KELTIC 7800

Pocket Door System



④

General Notes:

Not to Scale

Due to continual product development, detail and technical data are subject to change without notice

For latest product specifications please go to our website: www.intlwindow.com or contact your IWC Representative

This is an architectural view of cross sections only and installation of shims, fasteners and sealant shall be the responsibility of the installer

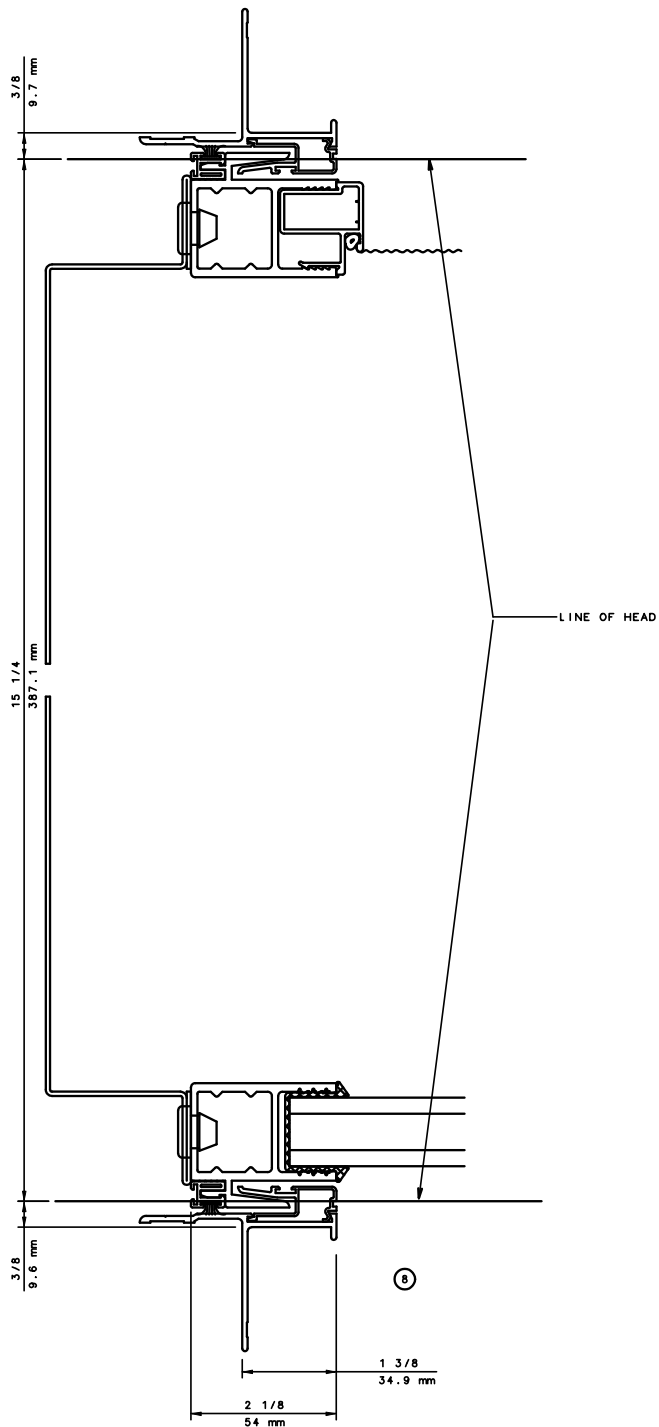


IWC - SOUTHERN CA | IWC - NORTHERN CA
KELTIC 7800 | WWW.INTLWINDOW.COM

Rev. 0512 Form: 78P4X_lock_jamb_scrn.pdf
IWC Architectural Design Detail

KELTIC 7800

Pocket Door System



General Notes:

Not to Scale

Due to continual product development, detail and technical data are subject to change without notice

For latest product specifications please go to our website: www.intlwindow.com or contact your IWC Representative

This is an architectural view of cross sections only and installation of shims, fasteners and sealant shall be the responsibility of the installer



IWC - SOUTHERN CA | IWC - NORTHERN CA
 KELTIC 7800 | WWW.INTLWINDOW.COM

Rev. 0512 Form: 78P4X_pkt_jamb_scrn.pdf
 IWC Architectural Design Detail