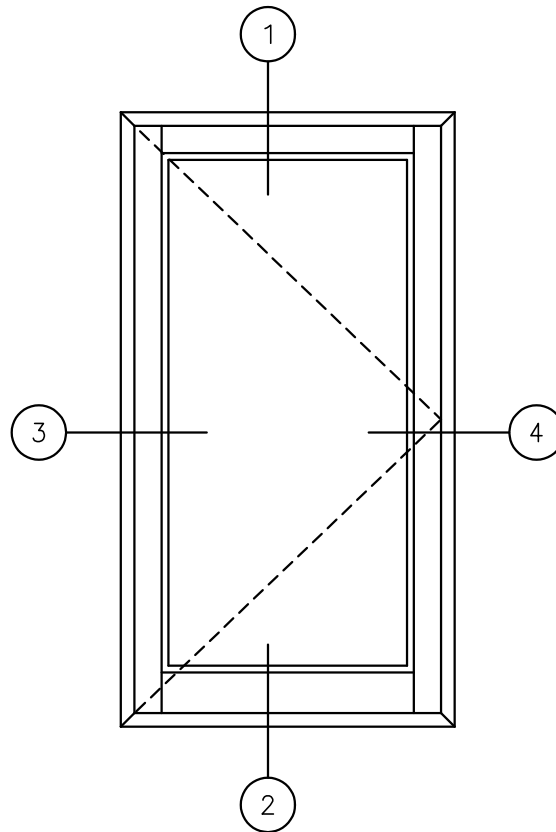


KELTIC SERIES

7180 Hinged Door (Swing In)



AR - AL OPPOSITE

General Notes:

Not to Scale

Due to continual product development, detail and technical data are subject to change without notice

For latest product specifications please go to our website: www.intlwindow.com or contact your IWC Representative

This is an architectural view of cross sections only and installation of shims, fasteners and sealant shall be the responsibility of the installer

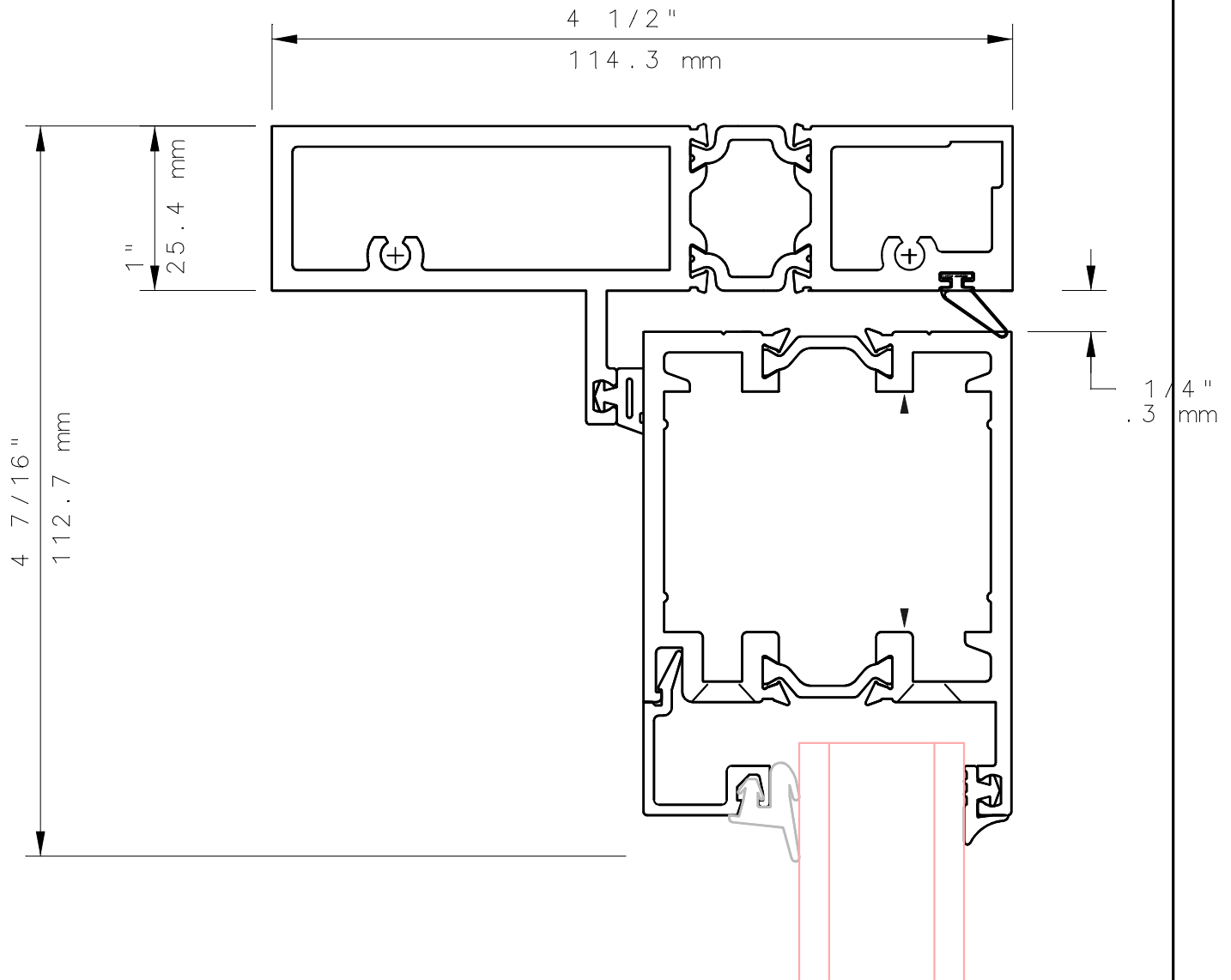


IWC - SOUTHERN CA
KELTIC 7180 | WWW.INTLWINDOW.COM

Rev. 0616 Form: 7000_A__elev.pdf
IWC Architectural Design Detail

IWC

SERIES 7180SR
HEAD DETAIL 1



NOTE:

THIS IS AN ARCHITECTURAL VIEW OF CROSS SECTIONS ONLY AND INSTALLATION OF SHIMS, FASTENERS, AND SEALANT SHALL BE THE RESPONSIBILITY OF THE INSTALLER.

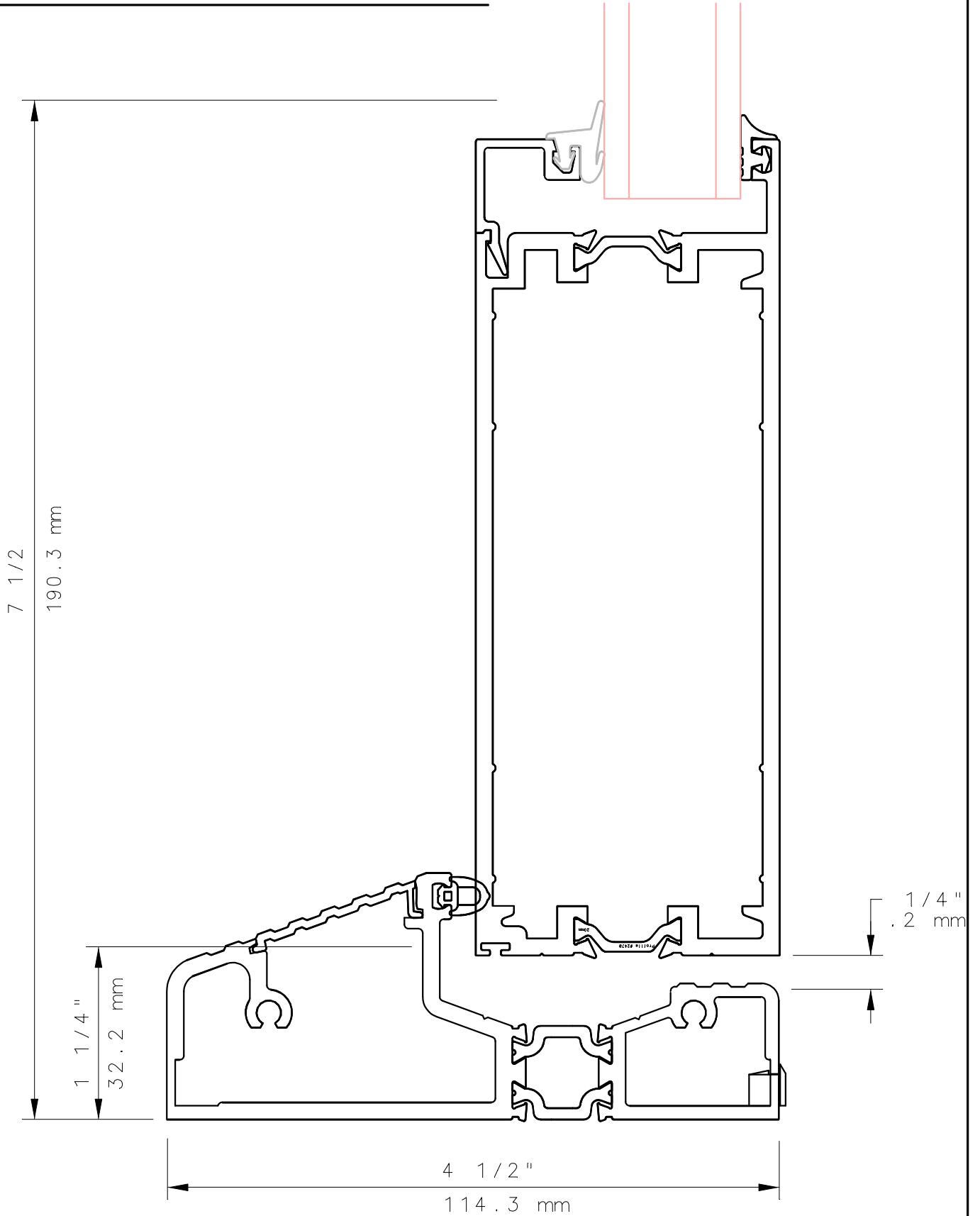
INTERNATIONAL WINDOW - NORTHERN CAL.

1320 PERFORMANCE DR.
STOCKTON, CALIFORNIA 95206
Ph: (209) 323-6850 FAX: (510) 471-9387

INTERNATIONAL WINDOW CORPORATION

2455 WARDLOW RD.
CORONA, CALIFORNIA 92878
(800) 477-4032
FAX # (562) 928-3492

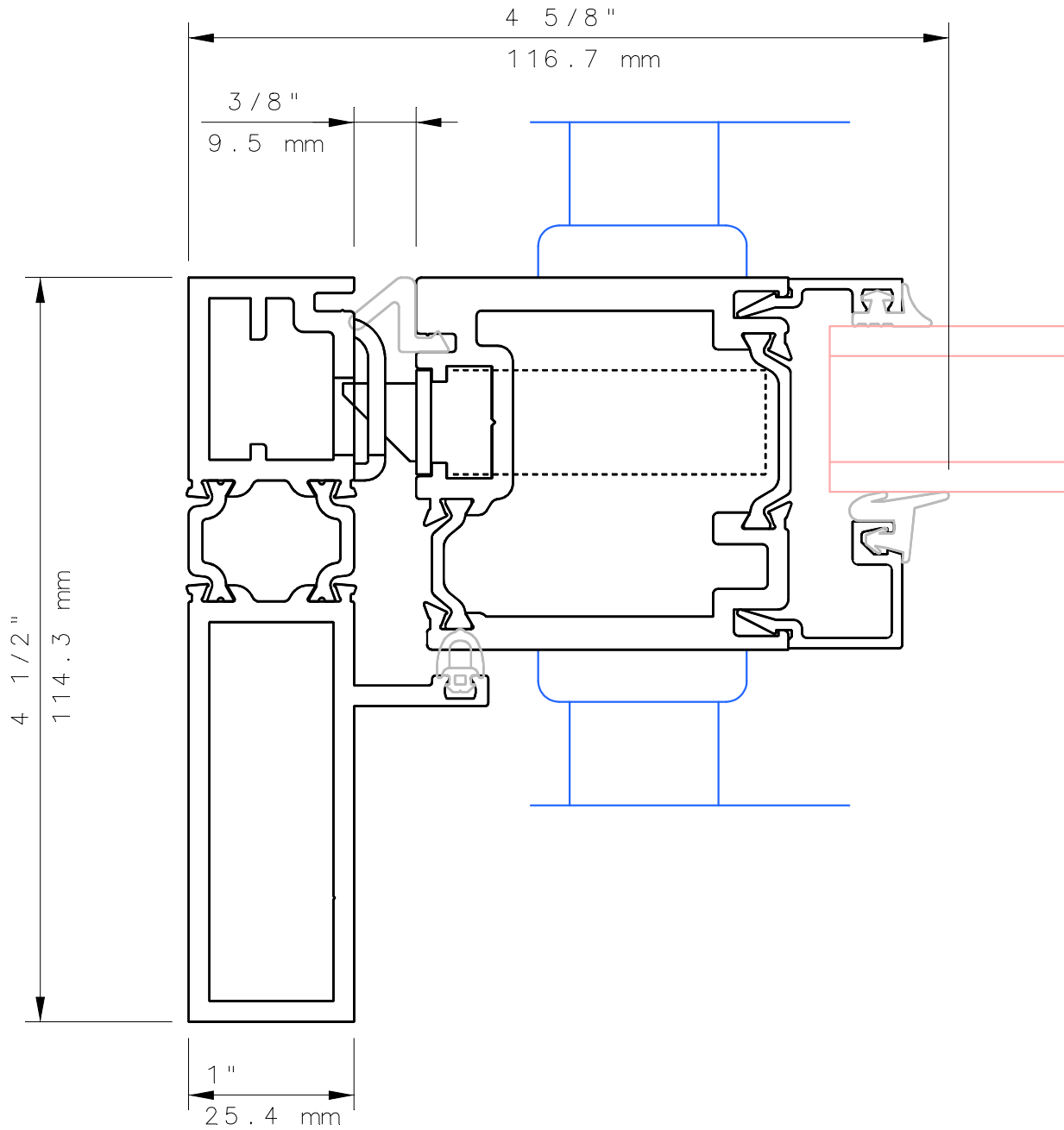
SERIES 7180SR
SILL DETAIL 2



INTERNATIONAL WINDOW
1320 PERFORMANCE DR.
STOCKTON, CALIFORNIA 95206
Ph: (209) 323-6850 FAX: (510) 471-9387

INTERNATIONAL WINDOW
2455 WARDLOW RD.
CORONA, CALIFORNIA 92878
(800) 477-4032
FAX # (562) 928-3492

SERIES 7180SR
LOCK JAMB DETAIL 3



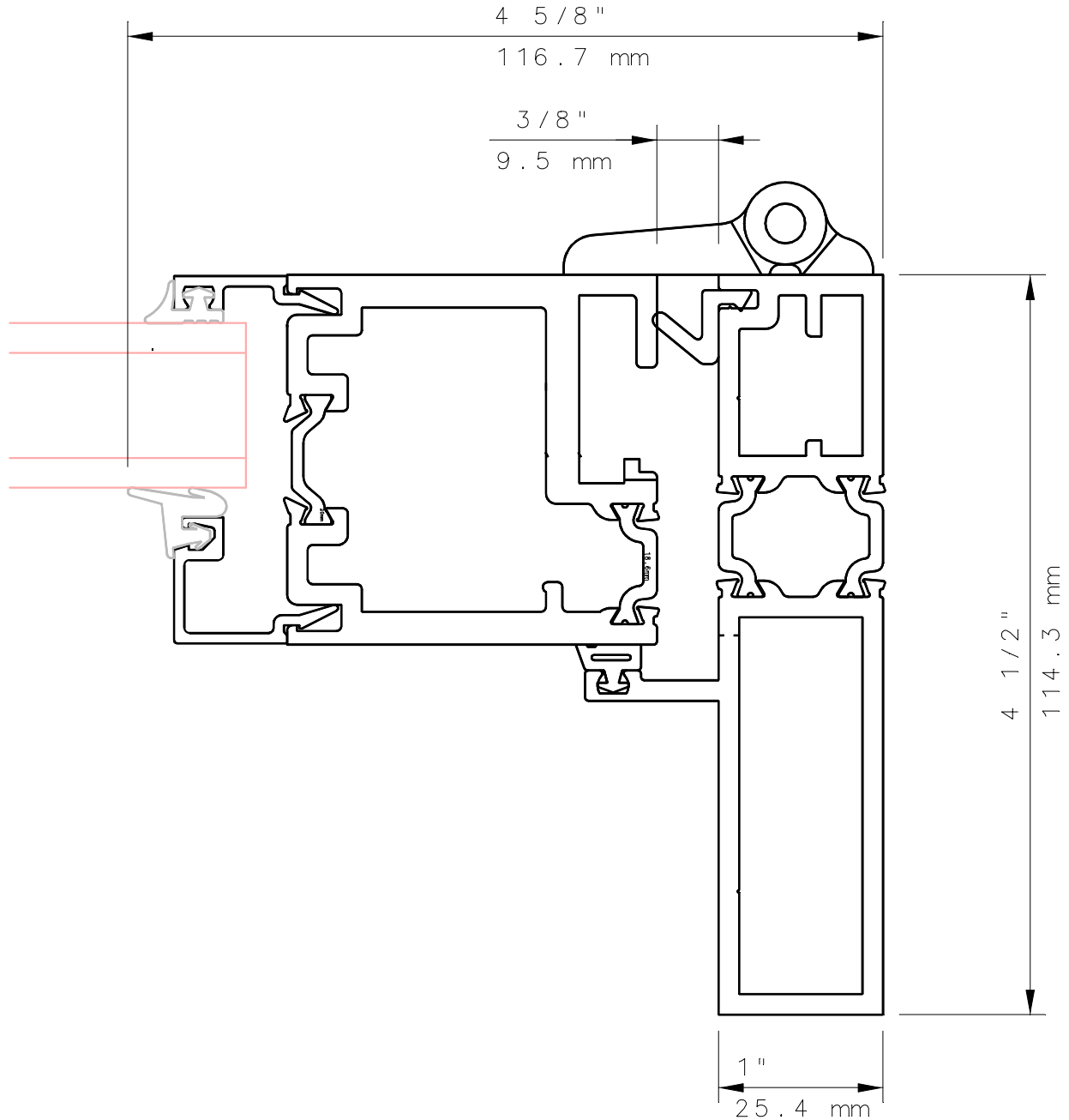
THIS IS AN ARCHITECTURAL VIEW OF CROSS SECTIONS ONLY AND INSTALLATION OF SHIMS, FASTENERS, AND SEALANT SHALL BE THE RESPONSIBILITY OF THE INSTALLER.

INTERNATIONAL WINDOW NORCAL
1320 PERFORMANCE DR.
STOCKTON, CALIFORNIA 95206
Ph: (209) 323-6850 FAX: (510) 471-9387

INTERNATIONAL WINDOW SOCAL
2455 WARDLOW RD.
CORONA, CALIFORNIA 92878
(800) 477-4032 FAX # (562) 928-3492

IWC

SERIES 7180SR
HINGE JAMB DETAIL 4



NOTE:

THIS IS AN ARCHITECTURAL VIEW OF CROSS SECTIONS ONLY AND INSTALLATION OF SHIMS, FASTENERS, AND SEALANT SHALL BE THE RESPONSIBILITY OF THE INSTALLER.

INTERNATIONAL WINDOW - NORTHERN CAL.

1320 PERFORMANCE DR.
STOCKTON, CALIFORNIA 95206
Ph: (209) 323-6850 FAX: (510) 471-9387

INTERNATIONAL WINDOW CORPORATION

2455 WARDLOW RD.
CORONA, CALIFORNIA 92878
(800) 477-4032
FAX # (562) 928-3492